

# SNO-E6011R

2Megapixel Full HD Weatherproof Network IR Camera

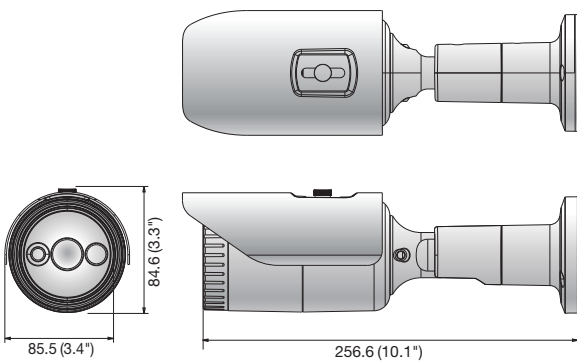


## Key Features

- Max. 2M (1920 x 1080) resolution
- Built-in 3.6mm fixed lens
- H.264, Dual stream
- Day & Night (ICR), SDR, SSNR
- Motion detection, Occlusion detection
- IR Distance 25m, IP66

## Dimensions

Unit : mm (inch)



## SNO-E6011RN/P

<b>VIDEO</b>	
Imaging Device	1/3" 3.0M PS CMOS (Aptina 0330)
Total Pixels	2,304(H) x 1,536(V)
Effective Pixels	1,920(H) x 1,080(V)
Scanning System	Progressive
Min. Illumination	Color : 0.2Lux@F1.2, 50IRE, AGC on B/W : 0Lux @ F1.2, IR on
S / N Ratio	50dB
<b>LENS</b>	
Focal Length (Zoom Ratio)	3.6 mm
Max. Aperture Ratio	F1.8
Angular Field of View	H:78°, V: 62.5°, D:100°
Min. Object Distance	0.2 m
Mount Type	M12
IR Type	LED-array (1ea)
IR Distance	25 m
<b>OPERATIONAL</b>	
Camera Title	32 characters
Day & Night	Auto (ICR) / Color / B/W
Backlight Compensation	Off / BLC
Wide Dynamic Range	SSDR
Digital Noise Reduction	SSNR
Motion Detection	Off / On
Privacy Masking	Off / On (4 zones)
Sens-up (Frame Integration)	Off / Auto (2x ~ 30x)
Gain Control	Off / Low / Middle / High
White Balance	ATW / AWC / Manual / Indoor / Outdoor
Electronic Shutter Speed	Auto / A.FLK / Manual (1/25 or 1/30 ~ 12,000sec)
Flip / Mirror	Off / On
Intelligent Video Analytics	MD / OD
Alarm Triggers	Motion detection, Occlusion detection
Alarm Events	File upload via FTP and E-mail Notification via E-mail, ONVIF, TCP and HTTP
Image Adjustment	Saturation, brightness, contrast adjustable web browser
<b>NETWORK</b>	
Ethernet	RJ-45 (10 / 100BASE-T)
Video Compression Format	H.264 (Main profile)
Resolution	Mainstream : 1920 x 1080, 1280 x 720p Substream : 640 x 480, 320 x 240
Max. Framerate	50Hz : 25fps (1920 x 1080), 25fps (1280 x 720) 60Hz : 30fps (1920 x 1080), 30fps (1280 x 720)
Video Quality Adjustment	H.264 : Compression level, Target bitrate level control
Bitrate	32Kbps ~ 12Mbps
Bitrate Control Method	H.264 : CBR or VBR
Streaming Capability	Dual stream
IP	IPv4
Protocol	TCP / IP, UDP / IP, RTP (UDP), RTP (TCP), RTSP, NTP, HTTP, HTTPS, SSL, DHCP, PPPoE, FTP, SMTP, ICMP, IGMP, SNMPv1 / v2c, ARP, DNS, DDNS, ONVIF
Security	HTTPS (SSL) login authentication, Digest login authentication IP address filtering, User access log, 802.1x authentication
Streaming Method	Unicast / Multicast
Max. User Access	5 users at unicast mode
Application Programming Interface	ONVIF profile S, SUNAPI 2.0
Web Language	English, Chinese
Web Viewer	Supported OS : Windows XP / VISTA / 7 / 8, MAC OS X 10.7 or higher Supported Browser : Microsoft Internet Explorer (Ver. 8 or higher), Mozilla Firefox (Ver. 9 or higher), Google Chrome (Ver. 15 or higher), Apple Safari (Ver. 5.1 or higher),
Central Management Software	SSM, SMV
<b>ENVIRONMENTAL</b>	
Operating Temperature / Humidity	-30°C ~ +55°C (-22°F ~ +131°F) / Less than 90% RH *Start up should be done at above -10°C
Storage Temperature / Humidity	-30°C ~ +60°C (-22°F ~ +140°F) / Less than 90% RH
<b>ELECTRICAL</b>	
Input Voltage / Current	DC 12V ±10%
Power Consumption	Max. 4.8W (DC 12V)
<b>MECHANICAL</b>	
Water Proof	IP66
Color / Material	White / AL
Dimension (WxHxD)	85.5 x 84.6 x 256.6
Weight	797g

\* The latest product information / specification can be found at [www.samsungsecurity.com](http://www.samsungsecurity.com)

# SND-E6011R

2Megapixel Full HD Network IR Dome Camera

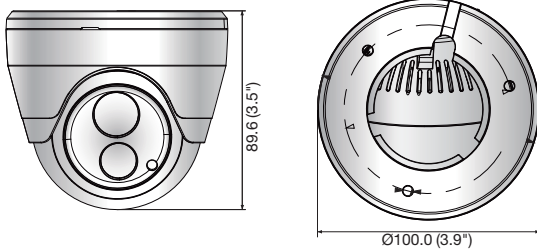


## Key Features

- Max. 2M (1920 x 1080) resolution
- Built-in 3.6mm fixed lens
- H.264, Dual stream
- Day & Night (ICR), SSSR, SSNR
- Motion detection, Occlusion detection
- IR Distance 25m

## Dimensions

Unit : mm (inch)



## SND-E6011RN/P

<b>VIDEO</b>	
Imaging Device	1/3" 3.0M PS CMOS(Aptina 0330)
Total Pixels	2,304(H) x 1,536(V)
Effective Pixels	1,920(H) x 1,080(V)
Scanning System	Progressive
Min. Illumination	Color : 0.2Lux@F1.2, 50IRE, AGC on B/W : 0Lux @ F1.2, IR on
S / N Ratio	50dB
<b>LENS</b>	
Focal Length (Zoom Ratio)	3.6 mm
Max. Aperture Ratio	F1.8
Angular Field of View	H:78°, V: 62.5°, D:100°
Min. Object Distance	0.2 m
Mount Type	M12
IR Type	LED-array (1ea)
IR Distance	25 m
<b>Pan / Tilt / Rotate</b>	
Pan Range	-15° ~ +15°
Tilt Range	0° ~ +75°
Rotate Range	0° ~ +350°
<b>OPERATIONAL</b>	
Camera Title	32 characters
Day & Night	Auto (ICR) / Color / B/W
Backlight Compensation	Off / BLC
Wide Dynamic Range	SSDR
Digital Noise Reduction	SSNR
Motion Detection	Off / On
Privacy Masking	Off / On (4 zones)
Sens-up (Frame Integration)	Off / Auto (2x ~ 30x)
Gain Control	Off / Low / Middle / High
White Balance	ATW / AWC / Manual / Indoor / Outdoor
Electronic Shutter Speed	Auto / A.FLK / Manual (1/25 or 1/30 ~ 12,000sec)
Flip / Mirror	Off / On
Intelligent Video Analytics	MD / OD
Alarm Triggers	Motion detection, Occlusion detection
Alarm Events	File upload via FTP and E-mail Notification via E-mail, ONVIF, TCP and HTTP
Image Adjustment	Saturation, brightness, contrast adjustable web browser
<b>NETWORK</b>	
Ethernet	RJ-45 (10 / 100BASE-T)
Video Compression Format	H.264 (Main profile)
Resolution	Mainstream : 1920 x 1080, 1280 x 720p Substream : 640 x 480, 320 x 240
Max. Framerate	50Hz : 25fps (1920 x 1080), 25fps (1280 x 720) 60Hz : 30fps (1920 x 1080), 30fps (1280 x 720)
Video Quality Adjustment	H.264 : Compression level, Target bitrate level control
Bitrate	32Kbps ~ 12Mbps
Bitrate Control Method	H.264 : CBR or VBR
Streaming Capability	Dual stream
IP	IPv4
Protocol	TCP / IP, UDP / IP, RTP (UDP), RTP (TCP), RTSP, NTP, HTTP, HTTPS, SSL, DHCP, PPPoE, FTP, SMTP, ICMP, IGMP, SNMPv1/v2c, ARP, DNS, DDNS, ONVIF
Security	HTTPS (SSL) login authentication, Digest login authentication IP address filtering, User access log, 802.1x authentication
Streaming Method	Unicast / Multicast
Max. User Access	5 users at unicast mode
Application Programming Interface	ONVIF profile S, SUNAPI 2.0
Web Language	English, Chinese
Web Viewer	Supported OS : Windows XP / VISTA / 7 / 8, MAC OS X 10.7 or higher Supported Browser : Microsoft Internet Explorer (Ver. 8 or higher), Mozilla Firefox (Ver. 9 or higher), Google Chrome (Ver. 15 or higher), Apple Safari (Ver. 5.1 or higher),
Central Management Software	SSM, SMV
<b>ENVIRONMENTAL</b>	
Operating Temperature / Humidity	-10°C ~ +55°C (+14°F ~ +131°F) / Less than 90% RH
Storage Temperature / Humidity	-30°C ~ +60°C (-22°F ~ +140°F) / Less than 90% RH
<b>ELECTRICAL</b>	
Input Voltage / Current	DC 12V ±10%
Power Consumption	Max. 4.8W (DC 12V)
<b>MECHANICAL</b>	
Color / Material	White / PC AL
Dimension (WxH)	Ø100 x 89.6
Weight	265g

\* The latest product information / specification can be found at [www.samsungsecurity.com](http://www.samsungsecurity.com)